

Top 100  
Global  
Innovator  
for 10 years

# Pad Mounted Transformers

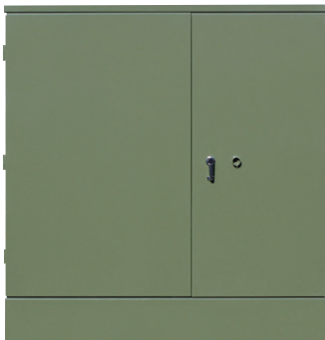


**LS** ELECTRIC

# Distribution Transformers



## Pad-mounted Compartmental Type



### General

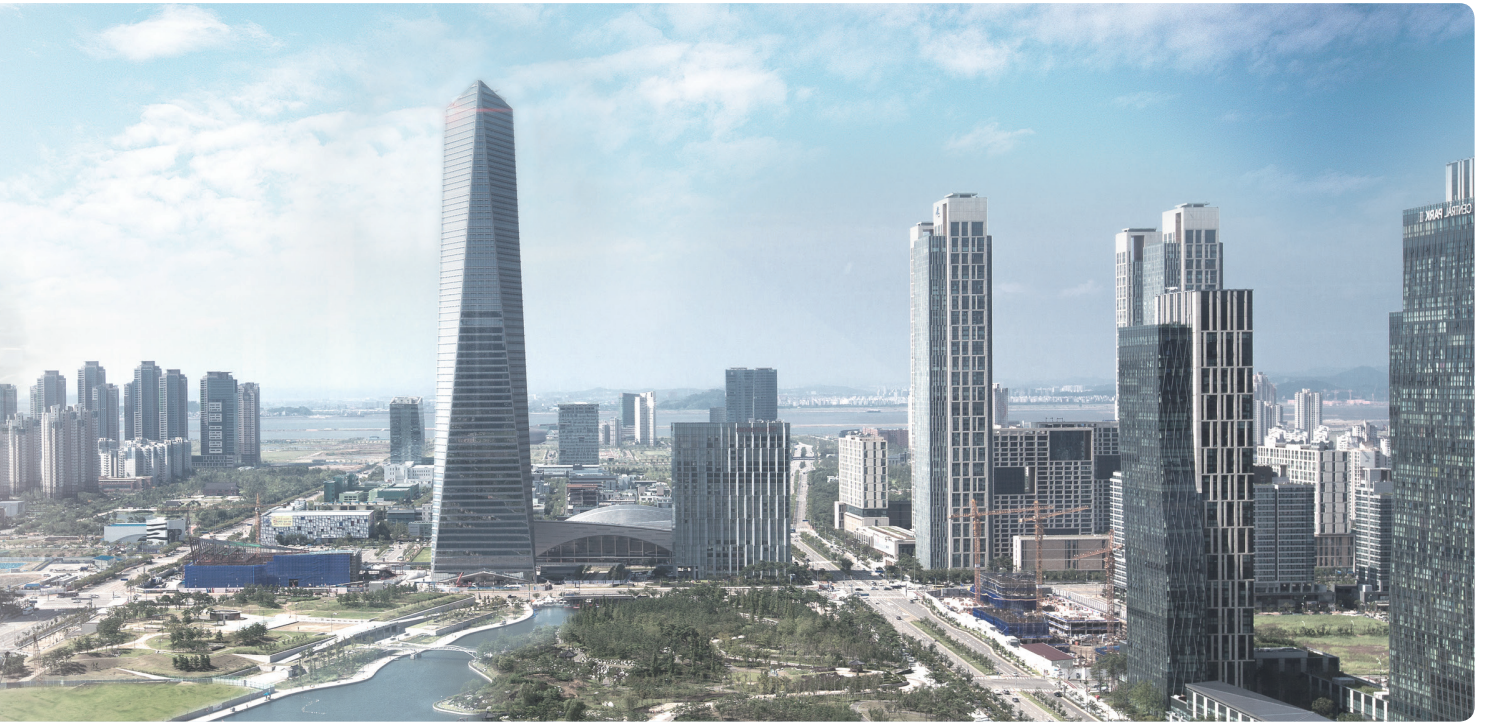
LS ELECTRIC pad-mounted compartmental type transformers, for use on underground power distribution systems, are designed to meet or exceeds ANSI, IEEE, NEMA and DOE Energy Efficiency. Pad mounted transformers can be supplied with dead-front or live front configuration, for loop or radial feed applications, with mineral oil or Natural ester, also as UL listed.

### Product Scope

Phase	Three or Single
Frequency	50 Hz or 60 Hz
Average Winding Rise	55 °C, 55/65°C, 65°C
Fluid Type	Mineral oil or Natural ester oil
Ratings	45 – 10,000 kVA 2,400 – 69,000 V <sup>1)</sup>
Special Designs	K-Factor UL Listed Solar/Wind design Seismic applications Special sound/altitude/ambient conditions

<sup>1)</sup> For above 35kV 150kV BIL, Please contact LS ELECTRIC representative



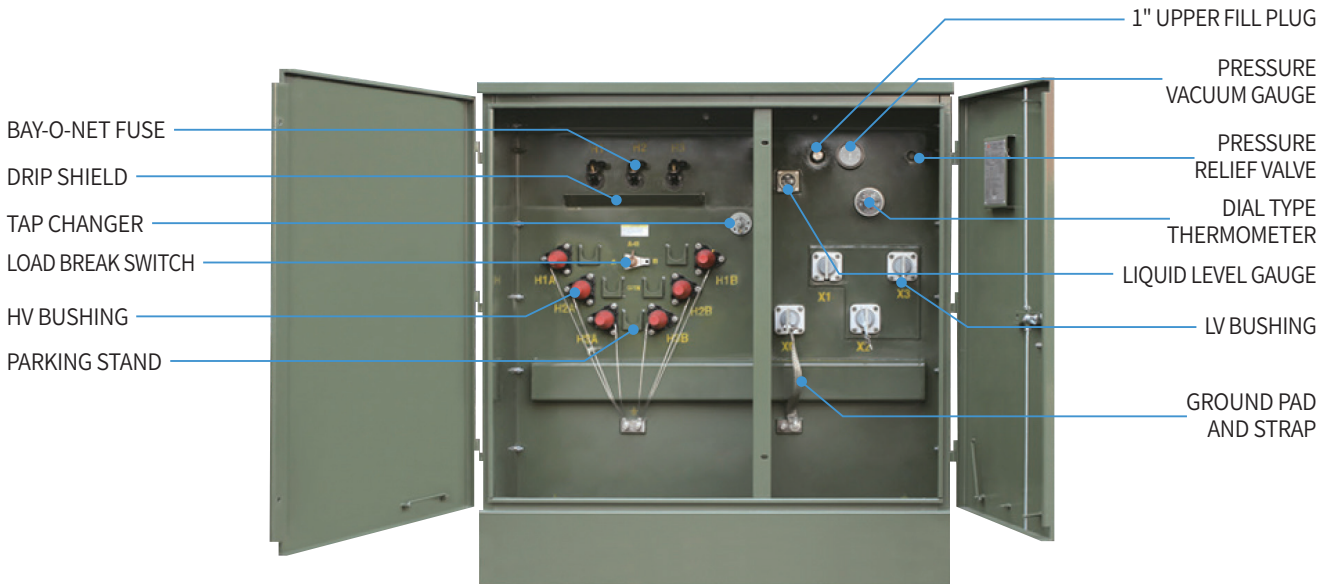


### Applicable Standards

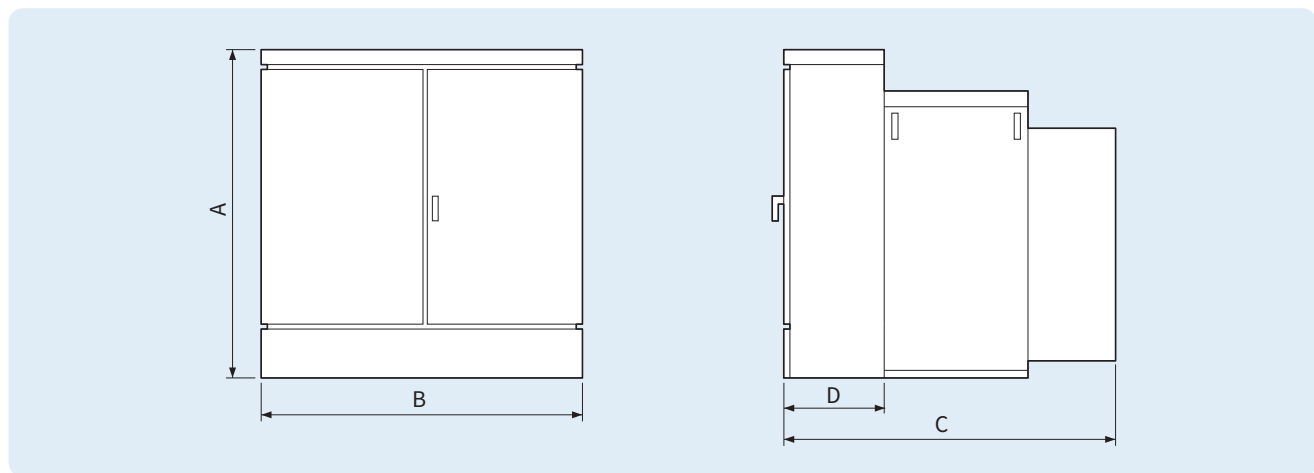
- IEEE C57.12.00 (General Requirements for Liquid-Immersed Transformers)
- IEEE C57.12.28 (Pad-Mounted Equipment-Enclosure Integrity)
- IEEE C57.12.34 (Requirements for Three-phase Pad-Mounted Transformers)
- IEEE C57.12.38 (Requirements for Single-phase Pad-Mounted Transformers)
- IEEE C57.12.70 (Standard Terminal Markings and Connections)
- IEEE C57.12.80 (Standard Terminology)
- IEEE C57.12.90 (Test Code for Liquid-Immersed Transformers)
- NEMA TR1 (Sound Levels)

# Distribution Transformers

## Three-Phase Pad-mounted Compartmental Type



### Approximate Dimensions

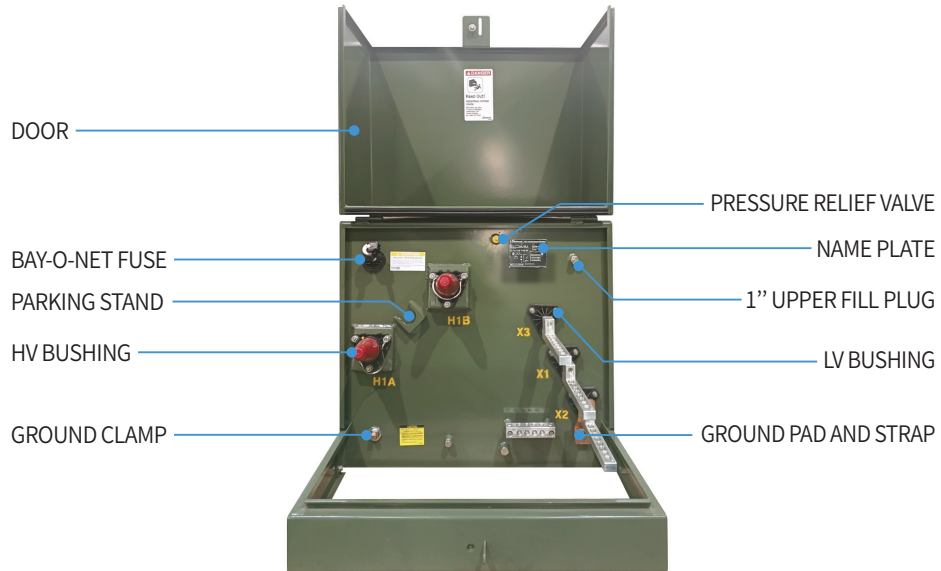


kVA	A (Height, in)	B (Width, in)	C (Depth, in)	D	Total Liquid(Gallons)	Total Weight (Lbs)
300	62	59	55	20	200	4,960
500	62	65	62	24	220	5,330
750	65	72	62	24	300	7,400
1000	69	72	65	24	360	8,880
1500	70	75	75	24	420	11,920
2000	71	75	86	24	490	13,450
2500	74	80	95	24	590	16,330
3000	80	80	99	24	650	17,500
3750	81	85	110	26	740	18,600

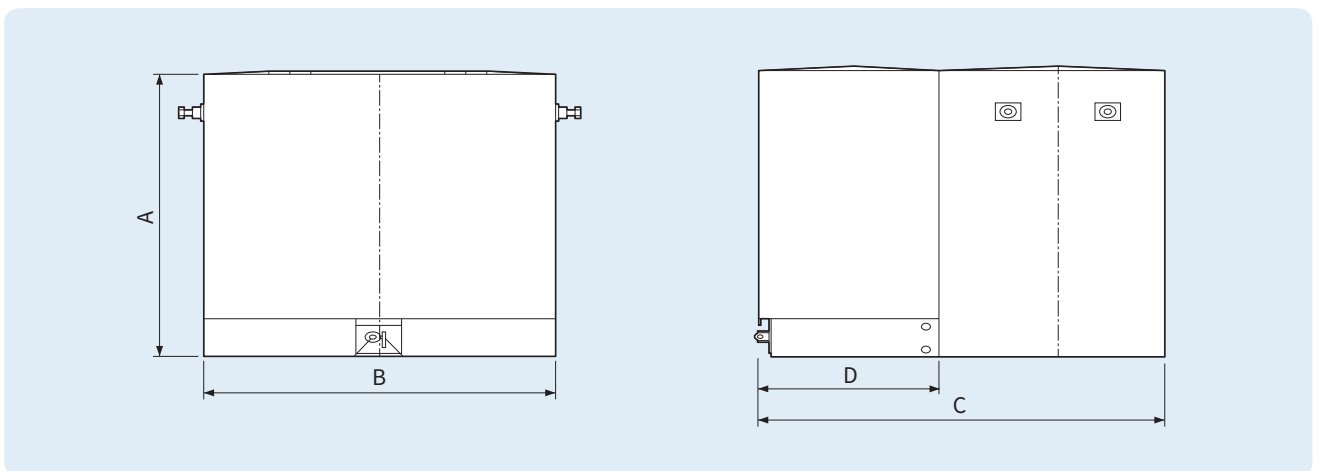
1) Dimensions, gallons and weights are for reference only, not for construction. Please contact LS ELECTRIC representative



## Single-Phase Pad-mounted Compartmental Type



### Approximate Dimensions



kVA	A (Height, in)	B (Width, in)	C (Depth, in)	D	Liquid (Gallons)	Weight (Lbs)
25	32	34	38	16	55	1,060
37.5	32	34	38	16	57	1,120
50	32	34	38	16	58	1,250
75	32	34	40	16	59	1,345
100	34	34	40	16	60	1,515
167	36	36	42	16	64	1,850

1) Dimensions, gallons and weights are for reference only, not for construction. Please contact LS ELECTRIC representative  
 2) C & D will be increased for 150kV BIL

# Global Management

LS is engaged in business all over the world.  
 LS global network includes 7 overseas corporations,  
 12 overseas branches, and 224 clients in 77 countries.



## ► R&D



### R&D Campus

Focuses on gaining competitive advantages through development of next generation platforms



### Power Device R&D Center

Leading technology in electric industry and continuously developing future-growth dynamic engines



### Automation R&D Center

Serves as the main Research Institute for LSIS



### PT&T (Testing laboratory)

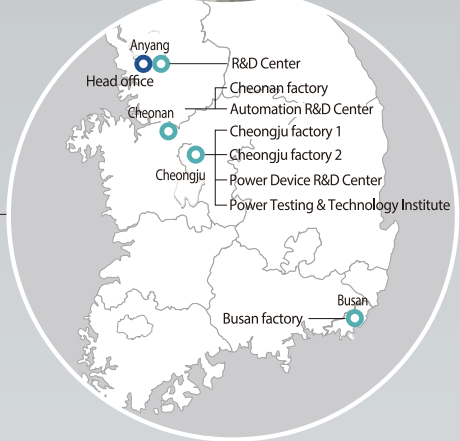
Internationally-renowned testing center that has formed partnerships with the UL, CE, KEMA and CESI

## ► Factory



### Cheongju factory (Korea)

Electric Products, Mold TR, MV/LV Switchgear, HV GIS



**Cheonan factory (Korea)**  
PLC, AC Drive, HMI, DCS, PV Module



**Busan factory (Korea)**  
HV TR, HVDC, FACTS



**Wuxi factory (China)**  
Electric Products



**Dalian factory (China)**  
MV/LV Switchgear,  
MV Contactor



**Hanoi factory (Vietnam)**  
MV/LV Switchgear,  
Mold TR





## Safety Instructions

- For your safety, please read user's manual thoroughly before operating.
- Contact the nearest authorized service facility for examination, repair, or adjustment.
- Please contact qualified service technician when you need maintenance. Do not disassemble or repair by yourself!
- Any maintenance and inspection shall be performed by the personnel having expertise concerned.



- According to The WEEE Directive, please do not discard the device with your household waste.

### ■ Headquarter

127 LS-ro (Hogye-dong) Dongan-gu, Anyang-si, Gyeonggi-Do, 14119, Korea

### ■ Seoul Office

LS Yongsan Tower, 92, Hangang-daero, Yongsan-gu, Seoul, 04386, Korea  
Tel. 82-2-2034-4916, 4684, 4429

### ■ Overseas Subsidiaries

- **LS ELECTRIC Japan Co., Ltd. (Tokyo, Japan)**  
Tel: 81-3-6268-8241 E-Mail: japan@ls-electric.com
- **LS ELECTRIC (Dalian) Co., Ltd. (Dalian, China)**  
Tel: 86-411-8730-5872 E-Mail: china.dalian@lselectric.com.cn
- **LS ELECTRIC (Wuxi) Co., Ltd. (Wuxi, China)**  
Tel: 86-510-6851-6666 E-Mail: china.wuxi@lselectric.com.cn
- **LS ELECTRIC Vietnam Co., Ltd. (Hanoi, Vietnam)**  
Tel: 84-222-2221-110 E-Mail: vietnam@ls-electric.com
- **LS ELECTRIC Middle East FZE (Dubai, U.A.E.)**  
Tel: 971-4-886-5360 E-Mail: middleeast@ls-electric.com
- **LS ELECTRIC Europe B.V. (Hoofddorp, Netherlands)**  
Tel: 31-20-654-1424 E-Mail: europartner@ls-electric.com
- **LS ELECTRIC America Inc. (Chicago, USA)**  
Tel: 1-800-891-2941 E-Mail: sales.us@lselectricamerica.com
- **LS ENERGY SOLUTIONS LLC (Charlotte, USA)**  
Tel: 1-704-587-4051 E-Mail: cmfeldman@ls-es.com
- **LS ELECTRIC Türkiye Co., Ltd. (Istanbul, Türkiye)**  
Tel: 90-212-806-1252 E-Mail: turkiye@ls-electric.com
- **LS ELECTRIC IBERIA S.L.U. (Madrid, Spain)**  
Tel: 34-910-28-02-74 E-Mail: iberia@ls-electric.com

### ■ Overseas Branches

- **LS ELECTRIC Tokyo Office (Japan)**  
Tel: 81-3-6268-8241 E-Mail: tokyo@ls-electric.com
- **LS ELECTRIC Beijing Office (China)**  
Tel: 86-10-5095-1631 E-Mail: china@lselectric.com.cn
- **LS ELECTRIC Shanghai Office (China)**  
Tel: 86-21-5237-9977 E-Mail: china@lselectric.com.cn
- **LS ELECTRIC Guangzhou Office (China)**  
Tel: 86-20-3818-2883 E-Mail: china@lselectric.com.cn
- **LS ELECTRIC Chengdu Office (China)**  
Tel: 86-28-8670-3201 E-Mail: china@lselectric.com.cn
- **LS ELECTRIC Qingdao Office (China)**  
Tel: 86-532-8501-2065 E-Mail: china@lselectric.com.cn
- **LS ELECTRIC Nanjing Office (China)**  
Tel: 86-25-8467-0005 E-Mail: china@lselectric.com.cn
- **LS ELECTRIC Bangkok Office (Thailand)**  
Tel: 66-90-950-9683 E-Mail: thailand@ls-electric.com
- **LS ELECTRIC Jakarta Office (Indonesia)**  
Tel: 62-21-2933-7614 E-Mail: indonesia@ls-electric.com
- **LS ELECTRIC Moscow Office (Russia)**  
Tel: 7-499-682-6130 E-Mail: info@lselectric-ru.com
- **LS ELECTRIC America Western Office (Irvine, USA)**  
Tel: 1-949-333-3140 E-Mail: america@ls-electric.com
- **LS ELECTRIC India Office (India)**  
Tel: 91-80-6142-9108 E-Mail: info\_india@ls-electric.com
- **LS ELECTRIC Singapore Office (Singapore)**  
Tel: 65-6958-8162 E-Mail: singapore@ls-electric.com
- **LS ELECTRIC Italy Office (Italy)**  
Tel: 39-030-8081-833 E-Mail: italia@ls-electric.com